

BAYLAN

WATER METERS

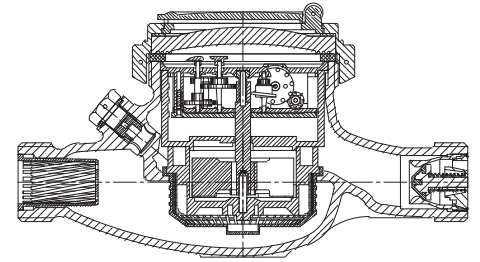
TY-1

Multi jet Wet type Water Meter



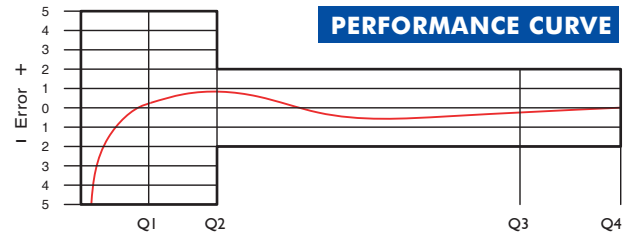
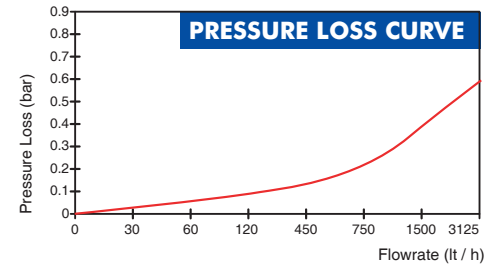
GENERAL

- MID Certified
- Available for optical reading
- Pulse output and AMR reading features are optional
- Multi jet working principle assures a long service time
- Suitable for potable water
- Low pressure loss, high sensitivity at initial flow
- Special glass with high resistance to pressure and impact
- 360° rotating lid • Double filter • Non return valve
- Electrostatic painted body made of corrosion resistant brass
- 3 years of warranty • Almost no maintenance
- Suitable for cold water up to 50°C
- Service and spare parts available for 10 years



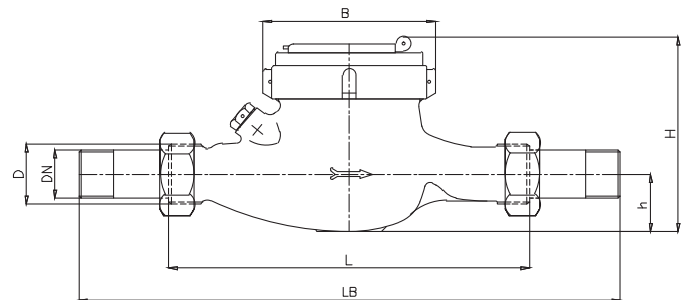
PERFORMANCE DATA

Overload Flowrate	Q4	m ³ /h	3,125
Permanent Flowrate	Q3	m ³ /h	2,5
Transitional Flowrate	Q2	m ³ /h	0,016 0,05
Minimum Flowrate	Q1	m ³ /h	0,01 0,03125
Q3/Q1 (MI-001 OIML R49)	-	≤250	≤80
Mounting on the network	-	H	V
Maximum Registration Capacity	m ³	9999 / 99999 / 99999,99 / 99999,999	
Maximum Working Pressure	bar	16	
Maximum Working Temperature	°C	50	
Pressure Loss	bar	0,6	
Initial Flow	Qi	l/h	6
Smallest Reading Resolution	m ³	0,00005	
Class	-	Class 1/Class 2	
Unit weight	kg	1,12	
Package Weight (without connect)	kg	12,09	
Package Weight (with connect)	kg	13,99	
Quantity per package	-	10	
Package dimensions	cm	24,5x46,5x22,5	



DIMENSIONS

Nominal diameter	DN	20	mm
Connecting diameter	D	G 1	B
Total overall meter height	H	109	mm
Axis height	h	32	mm
Width	B	97	mm
Length	L	190	mm
Length with connections	LB	270	mm



"Due to continuous development of our products, we reserve the right to modify our product design or construction without prior notice."