

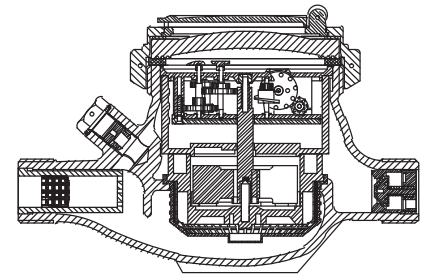
# BAYLAN

## WATER METERS

### TY-5

## Multi jet Wet type

## Water Meter



### GENERAL

- MID Certified
- Multi jet working principle assures a long service time
- Available for optical reading
- Pulse output and AMR reading features are optional
- Low pressure loss, high sensitivity at initial flow
- Suitable for potable water
- Special glass with high resistance to pressure and impact
- 360° rotating lid • Double filter • Non return valve
- Electrostatic painted body made of corrosion resistant brass
- 3 years of warranty • Almost no maintenance
- Suitable for cold water up to 50°C
- Service and spare parts available for 10 years

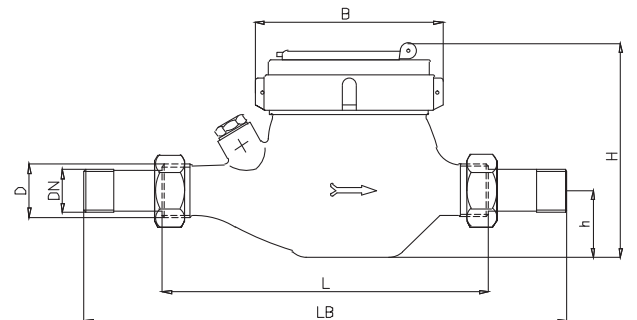
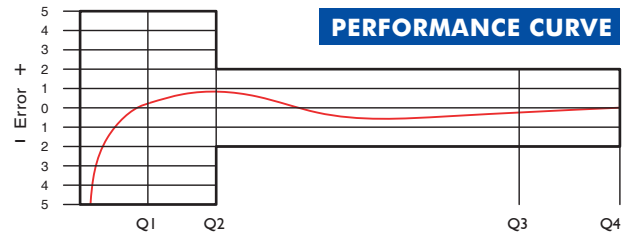
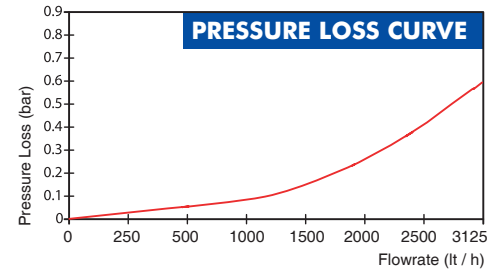


### PERFORMANCE DATA

Overload Flowrate	Q4	m <sup>3</sup> /h	3,125	
Permanent Flowrate	Q3	m <sup>3</sup> /h	2,5	
Transitional Flowrate	Q2	m <sup>3</sup> /h	0,016	0,05
Minimum Flowrate	Q1	m <sup>3</sup> /h	0,01	0,03125
Q3/Q1 (MI-001 OIML R49)	-		≤250	≤80
Mounting on the network	-		H	V
Maximum Registration Capacity	m <sup>3</sup>	9999 / 99999 / 99999,99 / 99999,999		
Maximum Working Pressure	bar	16		
Maximum Working Temperature	°C	50		
Pressure Loss	bar	0,6		
Initial Flow	Qi	l/h	6	
Smallest Reading Resolution	m <sup>3</sup>	0,00005		
Class	-	Class 1/Class 2		
Unit weight	kg	1,30		
Package Weight (without connect)	kg	13,21		
Package Weight (with connect)	kg	14,81		
Quantity per package	-	10		
Package dimensions	cm	27x48,5x20		

### DIMENSIONS

Nominal diameter	DN	15	mm
Connecting diameter	D	G 3/4	B
Total overall meter height	H	109	mm
Axis height	h	35	mm
Width	B	97	mm
Length	L	165 / 170	mm
Length with connections	LB	245 / 250	mm



"Due to continuous development of our products, we reserve the right to modify our product design or construction without prior notice."