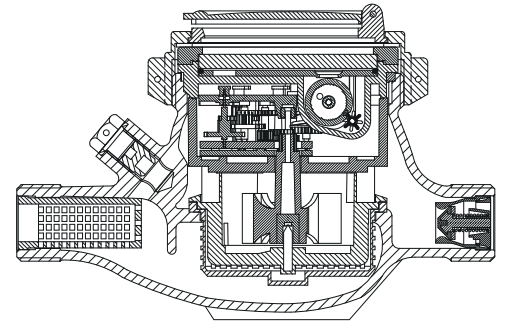


BAYLAN

WATER METERS

SD-1

Multi jet Semi-Dry type Water Meter



GENERAL

- MID Certified
- Multi jet working principle assures a long service time
- Pulse output and AMR reading features are optional
- Low pressure loss, high sensitivity at initial flow
- Suitable for potable water
- Propylene glycol protected register
- Special glass with high resistance to pressure and impact
- Double filter • Non return valve
- Electrostatic painted body made of corrosion resistant brass
- Available for optical reading
- 3 years of warranty • Almost no maintenance
- Suitable for cold water up to 50°C
- Service and spare parts available for 10 years



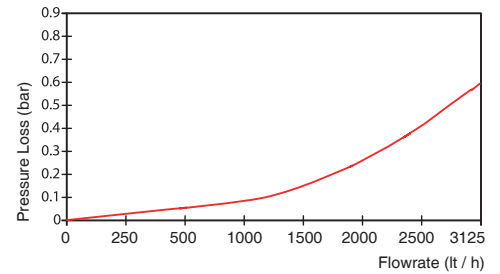
PERFORMANCE DATA

Overload Flowrate	Q4	m ³ /h	3,125
Permanent Flowrate	Q3	m ³ /h	2,5
Transitional Flowrate	Q2	m ³ /h	0,016
Minimum Flowrate	Q1	m ³ /h	0,01
Q3/Q1 (MI-001 OIML R49)	-		≤250
Mounting on the network	-		Horizontal
Maximum Registration Cap.	m ³		9999 / 99999 / 99999,99 / 99999,999
Initial Flow	Qi	l/h	5
Maximum Working Pressure	bar		16
Maximum Working Temp.	°C		50
Pressure Loss	bar		0,63
Smallest Reading Resolution	m ³ /h		0,00005
Class	-		Class 1 / Class 2

DIMENSIONS

Nominal diameter	DN	15	mm
Connecting diameter	D	G 3/4	B
Total overall meter height	H	112 110	mm
Axis height	h	33 32,3	mm
Length	L	165 190	mm
Length with connections	LB	241 266	mm
Width	B	95	mm
Unit weight		1,21	kg
Package Weight (without connect)		13,29	kg
Package Weight (with connect)		14,90	kg
Quantity per package		10	ad
Package dimensions		27x48,5x20	cm

PRESSURE LOSS CURVE



PERFORMANCE CURVE

