

BAYLAN

WATER METERS

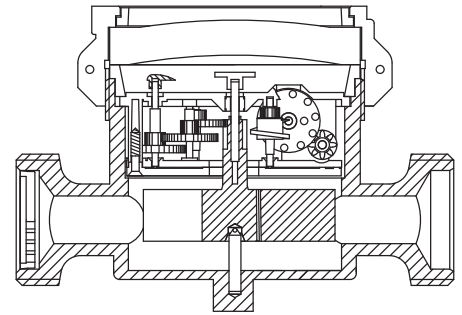
KY-1

Single jet Wet type Water Meter



GENERAL

- MID Certified
- Single jet design assures very high sensitivity even at low flows
- Available for optical reading
- Special glass with high resistance to pressure and impact
- Suitable for potable water
- 360° rotating lid
- Electrostatic painted body made of corrosion resistant brass
- 3 years of warranty
- Suitable for cold water up to 50°C
- Almost no maintenance
- Service and spare parts available for 10 years

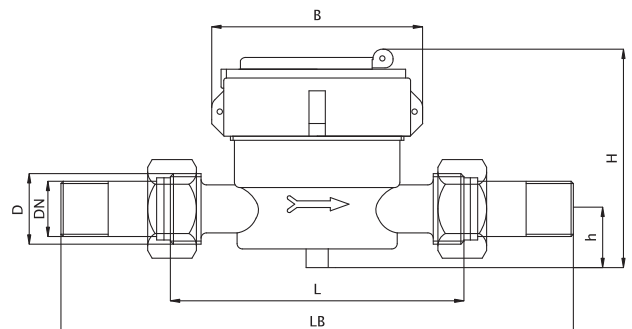
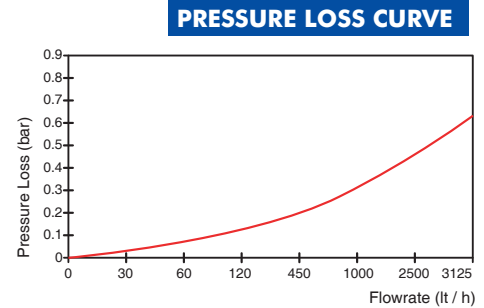
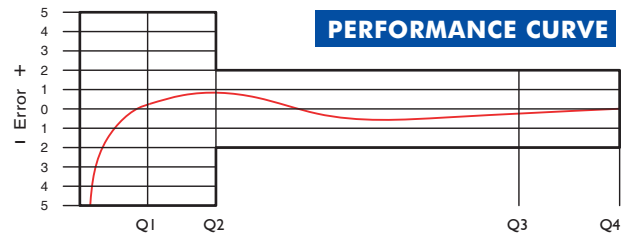


PERFORMANCE DATA

Overload Flowrate	Q4	m ³ /h	3,125	
Permanent Flowrate	Q3	m ³ /h	2,5	
Transitional Flowrate	Q2	m ³ /h	0,0126	0,08
Minimum Flowrate	Q1	m ³ /h	0,008	0,05
Q3/Q1 (MI-001 OIML R49)	-		≤315	≤50
Mounting on the network	-	H	V	
Initial Flow	Qi	l/h	5	
Maximum Working Pressure	bar	16		
Maximum Working Temperature	°C	50		
Pressure Loss Class	bar	0,63		
Maximum Registration Capacity	m ³	9999 / 99999		
Smallest Reading Resolution	m ³ /h	0,00005		
Quantity per package	-	Class 1/Class 2		
Class	-	10		
Package dimensions	cm	21x42,5x16,5		

DIMENSIONS

Nominal diameter	DN	15	20	mm
Connecting diameter	D	G 3/4	G 1	B
Total overall meter height	H	77	77	mm
Axis height	h	17	17	mm
Length	L	110/115	110/115/130	mm
Width	B	80	80	mm
Length with connections	LB	190/195	190/195/210	mm
Unit weight		0,63	0,60	kg
Package Weight (without connections)		6,87	6,62	kg
Package Weight (with connections)		8,47	8,52	kg



"Due to continuous development of our products, we reserve the right to modify our product design or construction without prior notice."